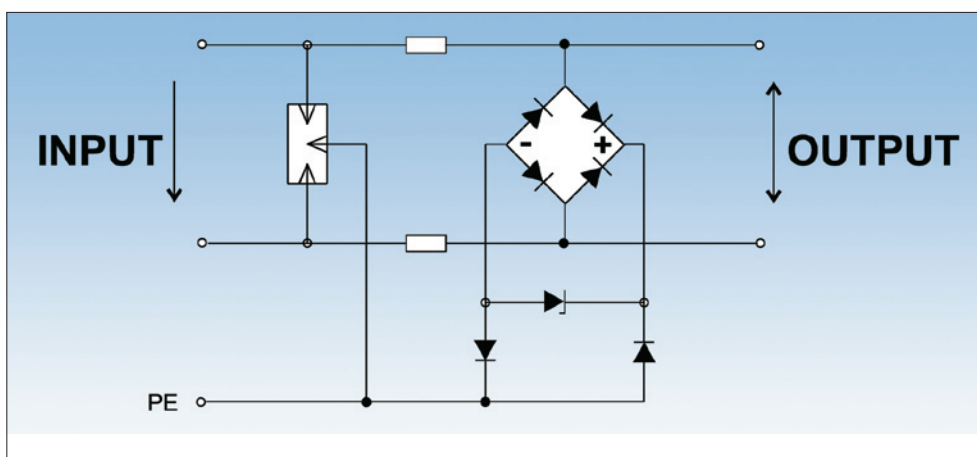


Dataprotection for Ethernet with RJ-connector

DTB is an SPD for RJ 45 connection. For Ethernet, category 5.



Technical data	
Connector	RJ 45
Voltage level	6V
Speed	100MBit/s
Serial resistance	1,5 Ohm
Attenuation	< 0,3 dB at 100 MHz
Temperaturearea	-40°C - +80°C
Response time	1ps
Max discharge current (8/20µs)	2kA
Residual voltage	10V

Technical data	
For Ethernet 100Mbit/s, 2 pair	DTB 2/100M 5 cat
For Ethernet 100Mbit/s, 4 pair	DTB 4/100M 5 cat