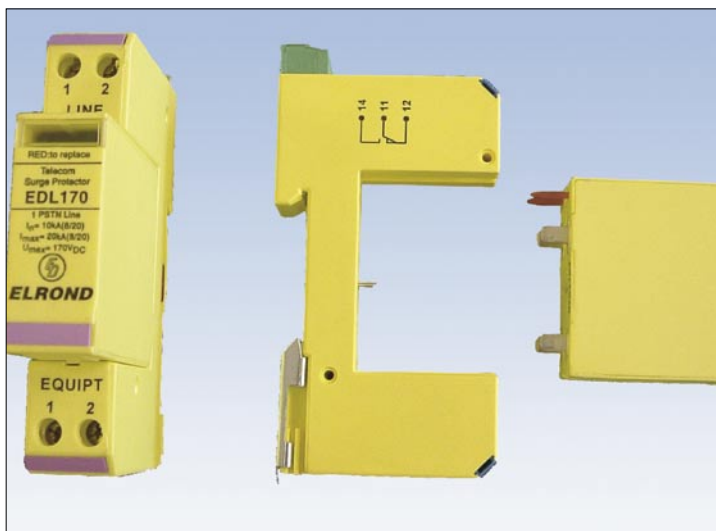


Signal-/telephoneprotection EDL

Now with indication!

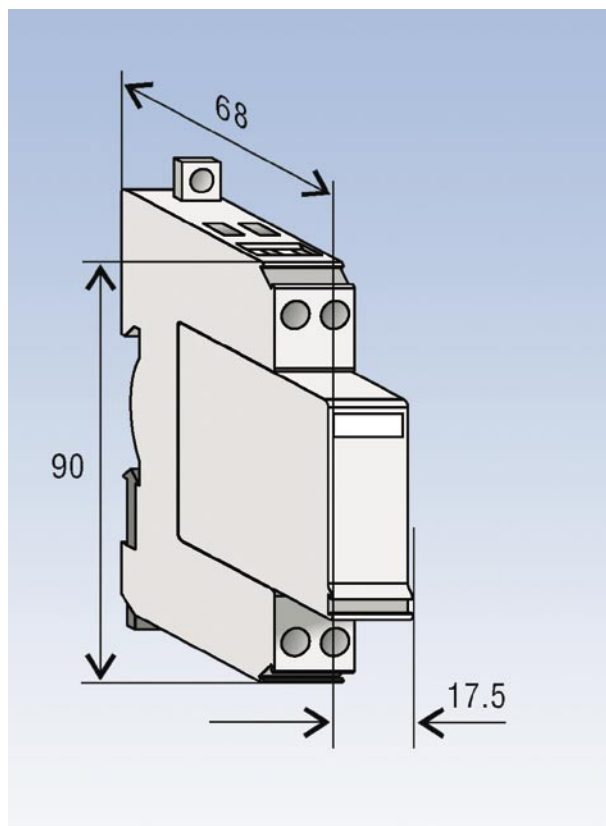


Overvoltage protective modules EDL contain a coarse and a fine overvoltage protection in a longitudinal and a transverse direction. A coarse overvoltage protection is carried out with a strong three-pole gas discharge tube. A fine overvoltage protection is carried out with three metal-oxide varistors or with fast bi-directional TVS diodes. Built-in connecting couplings resistors or PTC elements, assure a coordination between a coarse and a fine overvoltage protection.

Protective modules contain also a thermal-current protection, carried out with thermal decouplers, which react in case of contact between power lines with information connections. In that case thermal decouplers prevent fire and overheating-melting of plastic protection and insulation on connecting information lines. The base serves for inserting of protective modules and for interconnection wiring-connecting conductors. It has a grounding connection built-in on a top hat fixing rail.

Technical data	EDL6	EDL12	EDL24	EDL48	EDL170	EDLX170
Example of use		RS232/RS485	4-20mA		Tele/PSTN	*DSL
Impedans	4.7Ω				1Ω	0.3Ω/50μH
Capacitance (to PE)	7nF	4,5nF	2,9nF	1,2nF	90pF	-
Current	145mA					200mA
Rated voltage	6V	12V	24V	48V	170V	120V
Max operating voltage	8,5V	15V	28V	52V	190V	170V
Residual voltage (8/20μs-5kA)	10V	19V	36V	68V	250V	<700V
Limit frequency	0,6MHz	0,9MHz	1,4MHz	2,2MHz	10MHz	>22MHz
Max speed					8Mbit/s	52Mbit/s
Response time	1ns				25ns	<100ns
Max. surge current (8/20μs)	20kA					
Fault indication	Interrupt, indication, (S-version=changeover contact)					
Connection area	0,2-6 mm ²					
Measurements	90 x 67 x 18 mm					
Components	Gasdischargetube and MOV or suppressordiodes					GDT

Signal protection



Surge protection device EDL...

Specification	Type	E-number
Surge protection 6V, complete	EDL6	52 708 56
Surge protection 12V, complete	EDL12	52 708 57
Surge protection 24V, complete	EDL24	52 708 58
Surge protection 48V, complete	EDL48	52 708 59
Surge protection, 1 teleline, complete	EDL170	52 708 60
Surge protection 6V, plugpart	EDLM06	52 708 61
Surge protection 12V, plugpart	EDLM12	52 708 62
Surge protection 24V, plugpart	EDLM24	52 708 63
Surge protection 48V, plugpart	EDLM48	52 708 64
Surge protection, 1 teleline, plugpart	EDLM170	52 708 65
Surge protection 24V, complete incl alarm	EDLS24	52 709 54
Surge protection 170V, complete incl alarm	EDLS170	52 709 55
Surge protection 24V, plugpart for alarmversion	EDLMS24	52 709 56
Surge protection, 1 teleline, plugpart, for alarmversion	EDLMS170	52 709 57
Surge protection, 1 teleline/*DSL, complete	EDLX170	52 709 59