

Coaxial protection

Innovated coaxial high frequency protection range KO... are designed for protection of equipment connected to an aerial system by means of coaxial cables. Special gas discharge tubes ensure a reliable protection of the receive-

ing and the transmitting systems even against a lightning strike nearby. A wide range of coaxial protectors can be used in various applications.

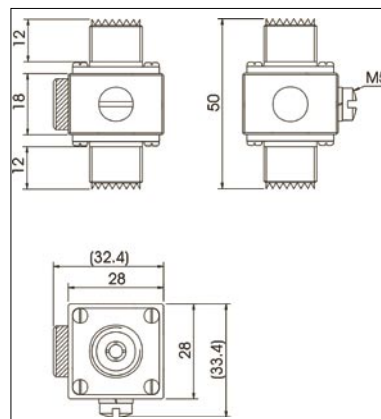
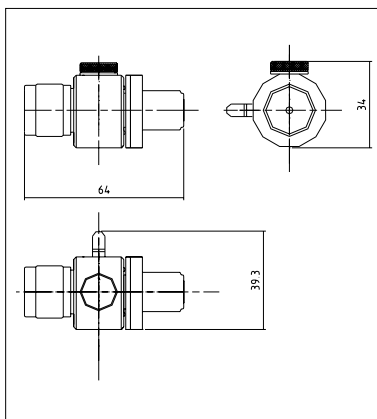
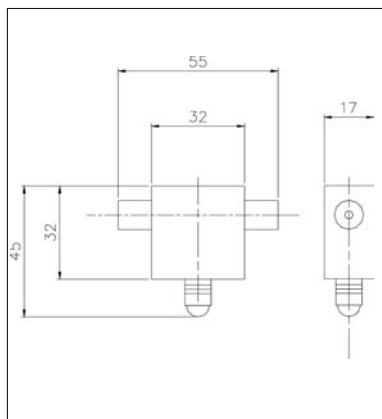
KO-1P



KO-3G...



KO-11G...

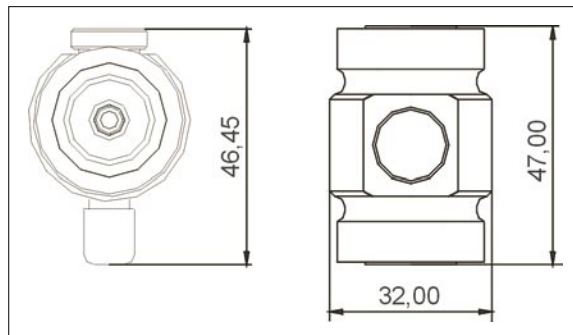


Type	Frequency range	Attenuation (dB)	Impedance (Ω)	Interchange power	DC ignition voltage U _{zs} (at the steepness of <500 V/s)	E-number
KO-1P F/M BNC	0-1 GHz	<0,20 dB	50Ω	50 W	90 V	52 708 34
KO-1P F/F BNC	0-1 GHz	<0,20 dB	50Ω	50 W	90 V	52 709 61
KO-2G BNC	0-1 GHz	<0,15 dB	50Ω	400 W	250 V	
KO-3G F/F-N	0-3 GHz	<1,5 dB	75Ω	50 W	90 V	52 709 62
KO-3G F/M-N	0-3 GHz	<1,5 dB	75Ω	50 W	90 V	52 708 37
KO-4G F/F-N	0-3 GHz	<1,5 dB	50Ω	400 W	250 V	
KO-4G F/M-N	0-3 GHz	<1,5 dB	50Ω	400 W	250 V	
KO-11G UHF	0-3 GHz	<0,3 dB	50Ω	50 W	90 V	52 709 64

7/16 Koaxialskydd

KO 7/16 is a compact coaxial protection where a special gas discharge tube (10kA 8/20 μ s 10times, 20kA 1 time) is used as a protective component. It's an isolator at normal condi-

tions but when a disturbance appears it will be in short-circuit. For frequencies between 0,9-2,6GHz.



Type	Frequency range	Attenuation (dB)	Impedance (Ω)	Interchange power	DC ignition voltage U_{zs} (at the steepness of <math><500\text{ V/s}</math>	E-number
KO-7/16	0,9-2,6 GHz	<math><0,50\text{ dB}</math>	50 Ω	900 W	600 V	52 709 65